

# Request For Interest For SIAA Members

Request For Interest Ref No : **SIAA/RFI/130901**

Project Name: Wireless Motion Sensor System

I2R Project No (if any): NA

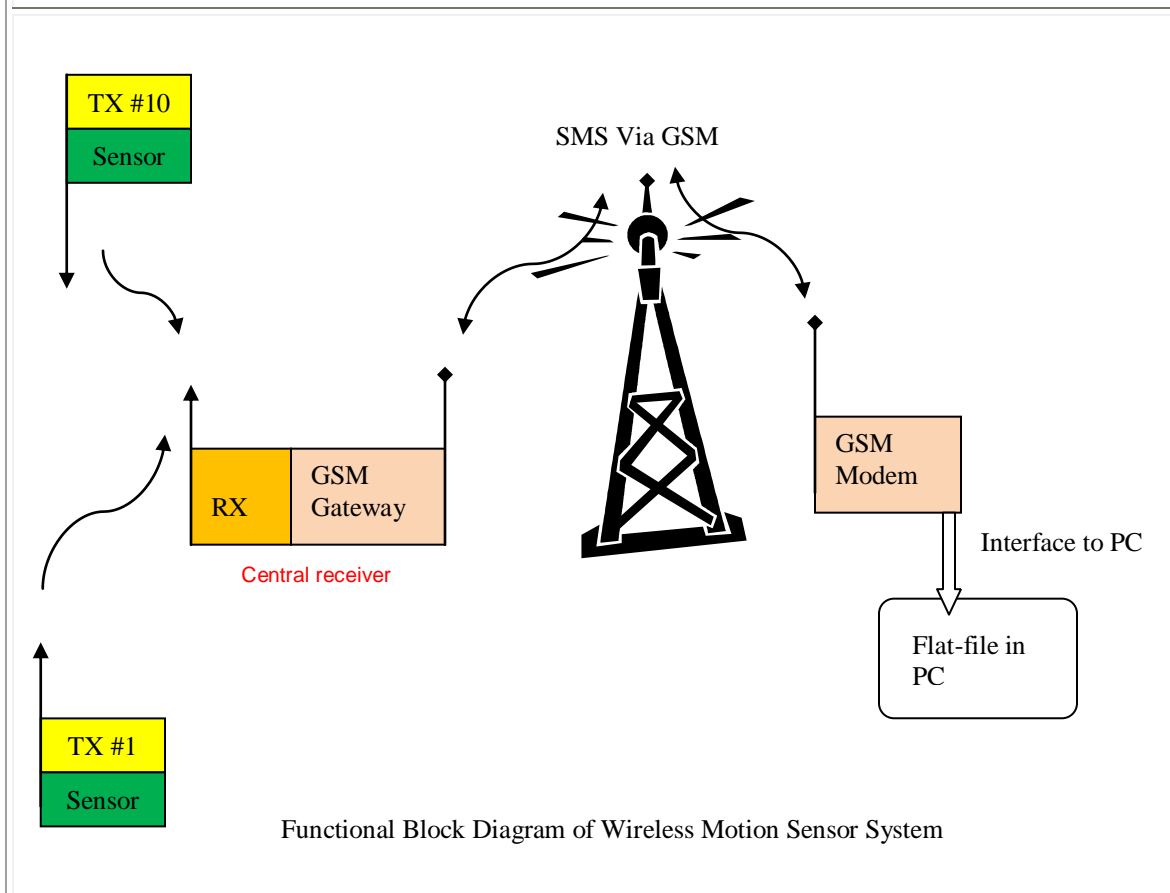
Department: NA

## Project Overview

### Project Description

A cluster of wireless motion sensors, when triggered, will transmit a signal to a central receiver. This receiver, equipped with a GSM gateway, will send SMS text messages to a set of present mobile phone numbers.

This system will also include a GSM modem that will be connected to a Computer. The text messages received will be sent to this computer to be stored in a flat-file.



<b>Functional Specifications</b>
Wireless Motion Sensor <ol style="list-style-type: none"><li>1. Transmitting Range : 200m to 400m</li><li>2. Battery operated, with battery life span of 6 months or more</li></ol>
Central Receiver and GSM Gateway <ol style="list-style-type: none"><li>1. Able to decode 10 or more separate Wireless Motion Sensors simultaneously.</li><li>2. Send SMS text to a group of mobile phones.</li><li>3. Operates on 230 VAC.</li></ol>

### **Project Deliverables**

<b>Deliverables</b>
<ol style="list-style-type: none"><li>1. 120 Wireless Motion Sensors</li><li>2. 11 Central Receivers and GSM gateways, complete with SIM cards</li><li>3. 1 GSM Modem and software interface, complete with SIM card</li><li>4. 1 year maintenance support for above hardware and software</li><li>5. Training to use the above system</li></ol>

### **Required Technical Capabilities of Company**

<b>Required Technical Capabilities</b>
System Integration work with mobile system and familiar with license-free short-range RF modules.

### **Project Duration**

<b>Project Duration</b>
4 weeks

### **Other Requirements**

<b>Non Disclosure Agreement (if required)</b>
Non- applicable